

5

4

3

2

1

DCB204 4.0Ah 40Wh Type 2

Size	Number
	N113886V1-1

Rev
0.1

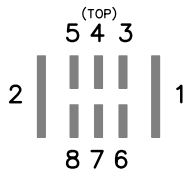
11-18-2019

RDC

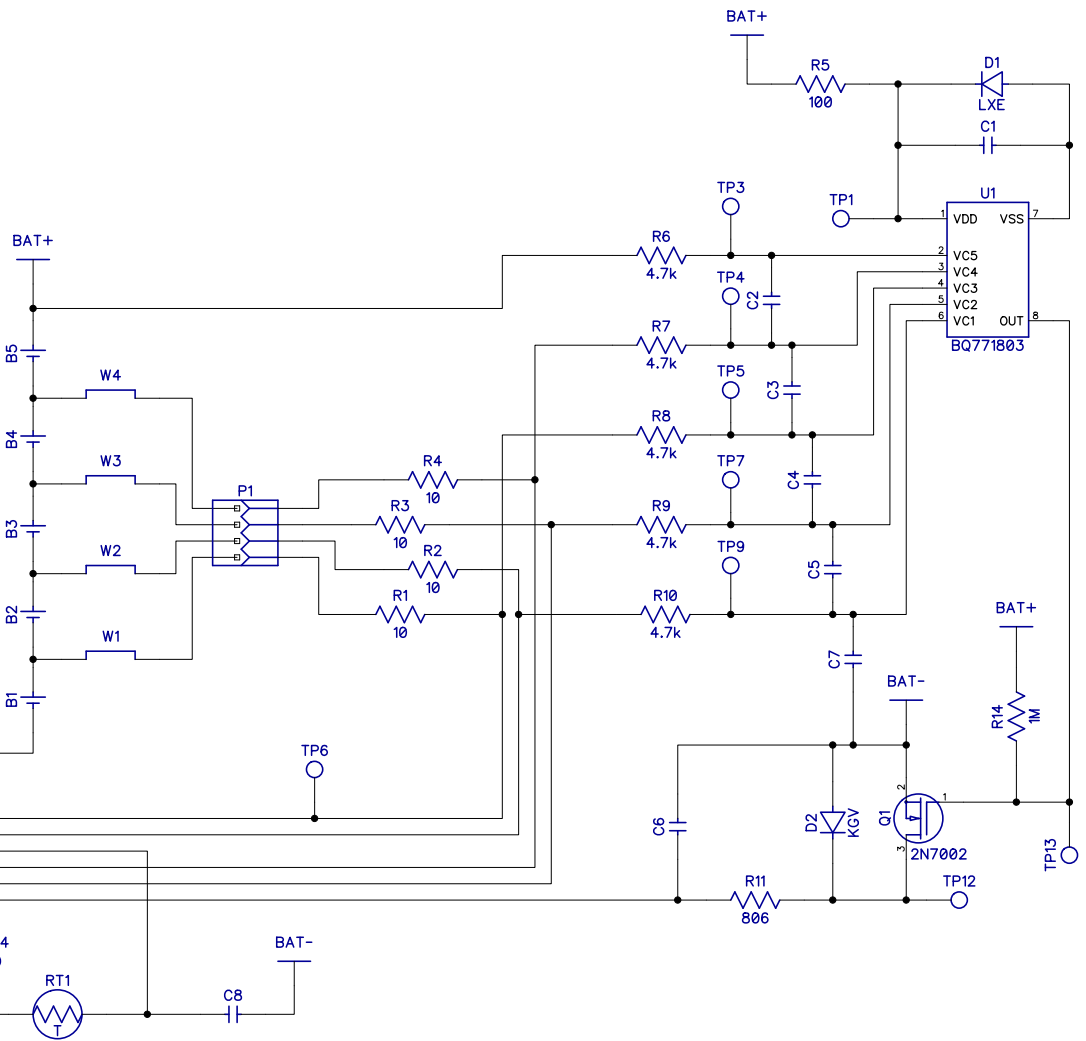
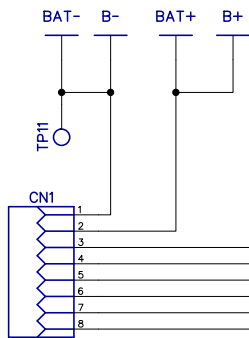
Filename

Sheet

- 1 = B-
- 2 = B+
- 3 = C3
- 4 = C1
- 5 = TH
- 6 = C4
- 7 = C2
- 8 = ID



VIEW LOOKING INTO MATING END



5

4

3

2

1