

5

4

3

2

1

E

E

DCB203/DCB204 Type 2 LED Board

Size N370486V0-9

Rev

0.1

11-17-2019

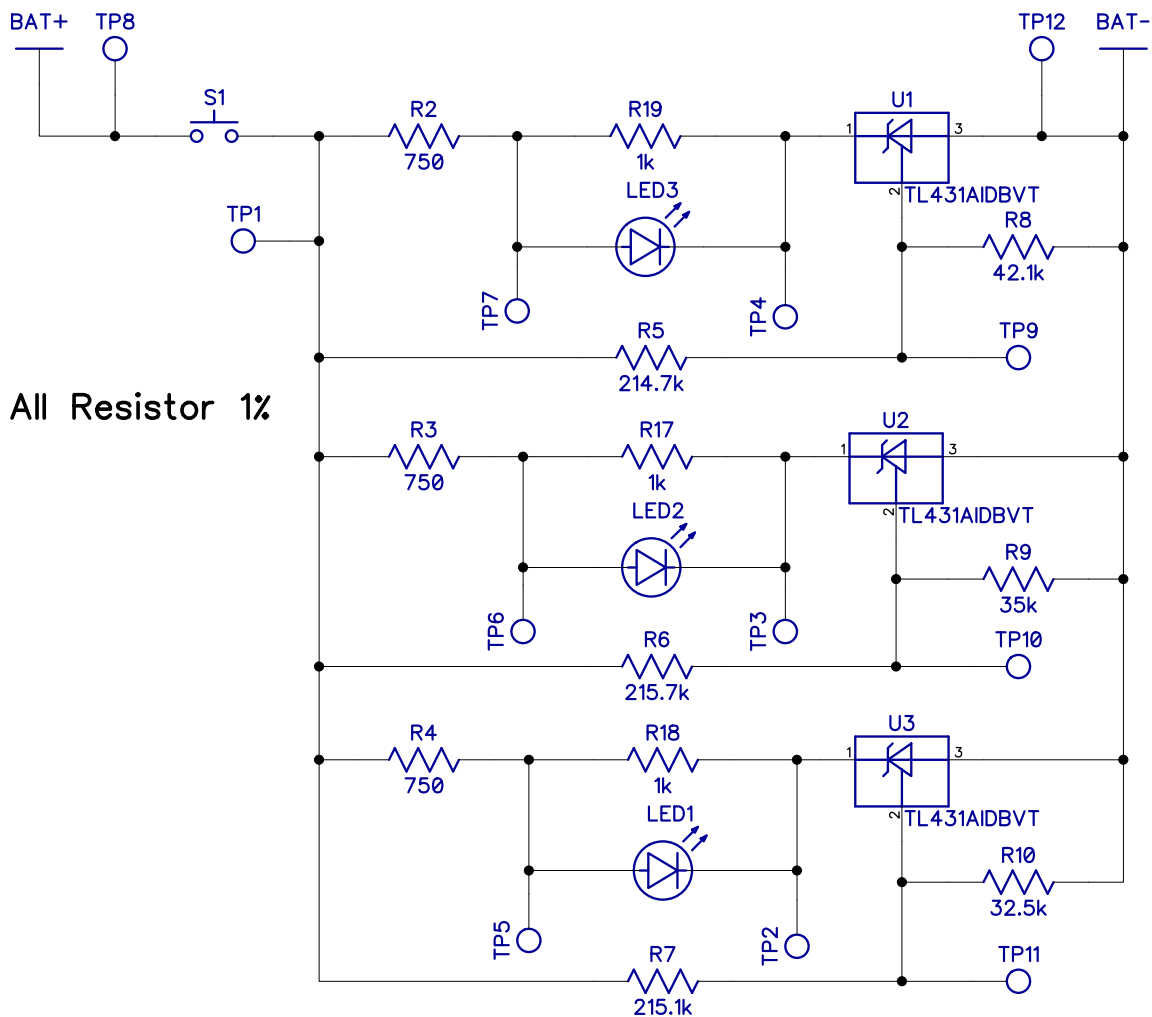
RDC

Filename

Sheet

D

D



C

C

B

B

A

A

5

4

3

2

1